

## HTM 63 STORAGE UNITS

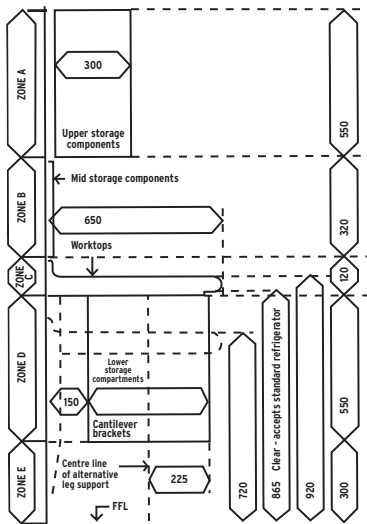
David Bailey Furniture Systems offers a range of fitted furniture that meets the specific requirements of the HTM 63 (Health Technical Memorandum).

Originally designed by the Department of Health, the HTM 63 sets out a range of storage units and worktops of unique design for use primarily in health buildings. This range of suspended storage units and worktops is manufactured to a high specification, featuring a melamine faced MDF carcass.

The suspended style makes them ideal for theatre suites or where a particularly rigid floor cleaning regime is required. The HTM 63 system has been designed on five specific zones A to E, as shown below.



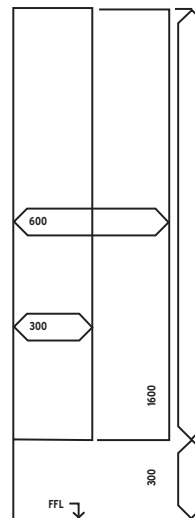
### 600 ASSEMBLIES



- Zone A.** Upper storage components
- Zone B.** Mid storage components
- Zone C.** Worktops and support systems
- Zone D.** Lower storage components
- Zone E.** Clearance under lower storage components for floor cleaning

Upper and lower storage components are in 500mm, 600mm and 1000mm widths. Tall storage components are 600mm wide.

### TALL STORAGE COMPONENTS

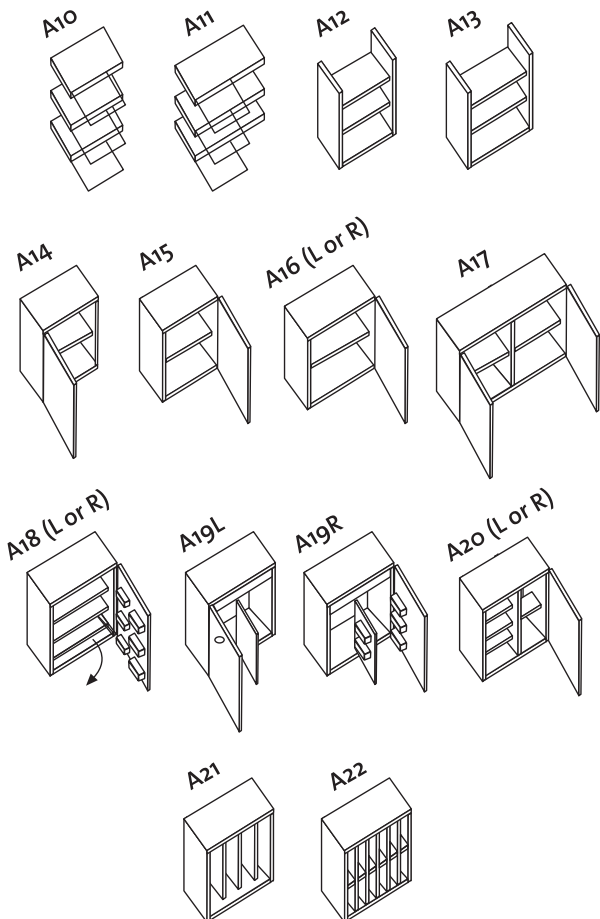


Also available in this range, but not illustrated, are:

- A.** Shelving
- B.** Staff bases
- C.** Reception counters
- D.** Mobile units\*

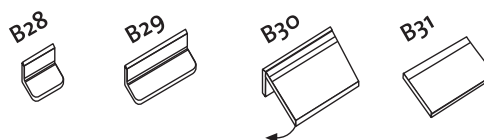
\*The majority of the lower storage components may be fitted with tops, legs and casters for use as mobile "under bench" storage.

UPPER STORAGE COMPONENTS



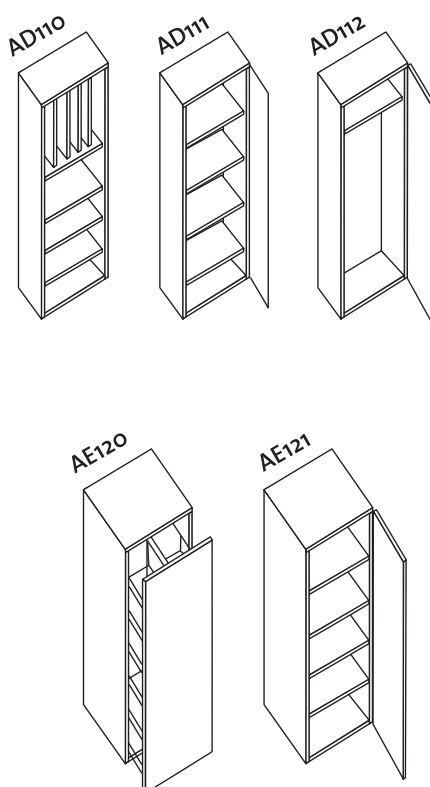
	H	W	D	
A10	*	x 500	x 300	Bridging shelves
A11	*	x 600	x 300	Bridging shelves
A12	550	x 500	x 300	Open shelf carcass
A13	550	x 600	x 300	Open shelf carcass
A14	550	x 500	x 300	Single door cupboard, hinge left
A15	550	x 500	x 300	Single door cupboard, hinge right
A16	550	x 600	x 300	Single cupboard, double door available on request
A17	550	x 1000	x 300	Double door cupboard
A18	550	x 600	x 300	Medicine cupboard, lockable, swing-out interior, door racks
A19L	550	x 600	x 300	Ward drugs cupboard, lockable hinge left
A19R	550	x 600	x 300	Ward drugs cupboard, lockable hinge right
A20	550	x 600	x 300	Urine test cupboard, lockable
A21	550	x 600	x 300	Pack dispenser
A22	550	x 600	x 300	Pigeon holes

MID STORAGE COMPONENTS



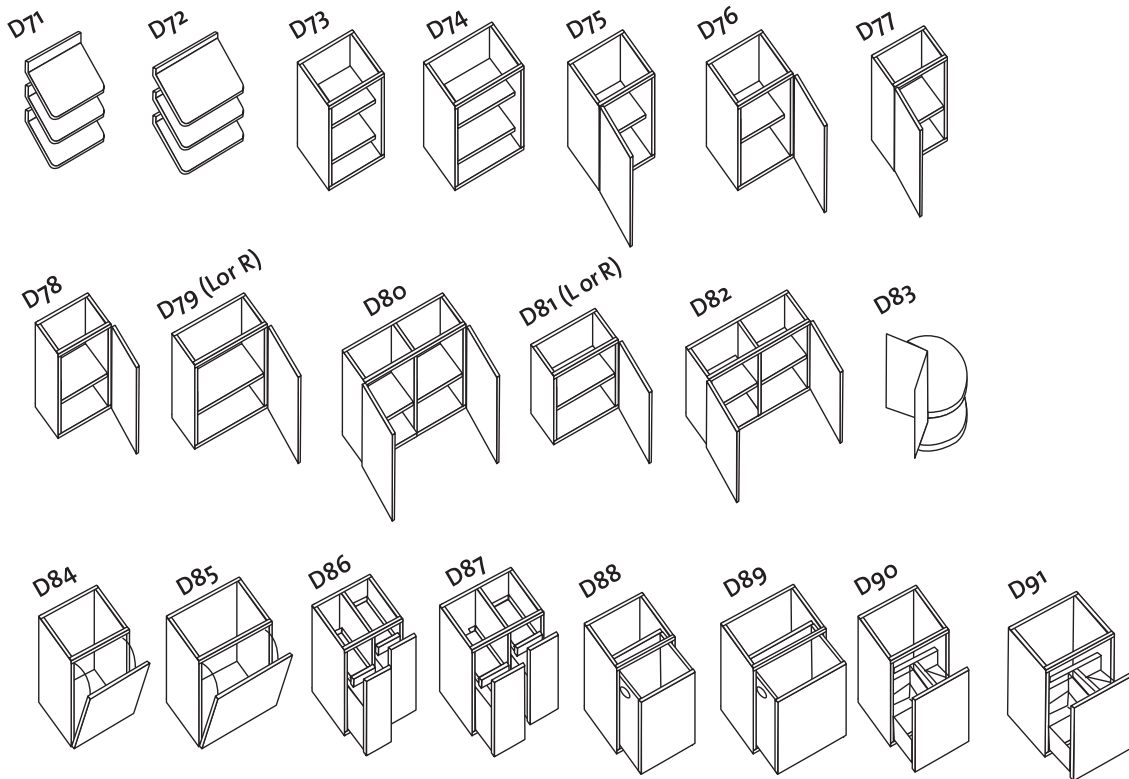
	H	W	D	
B28	150	x 300	x 150	Handbag shelves
B29	150	x 500	x 150	Handbag shelves
B30	200	x 600	x 400	Writing shelf, hinged
B31	200	x 600	x 400	Writing shelf, fixed, sloping

TALL STORAGE COMPONENTS



	H	W	D	
AD110	1600	x 600	x 300	Open shelf carcass dispenser
AD111	1600	x 600	x 300	Open shelf carcass dispenser
AD112	1600	x 600	x 300	Wardrobe
AD113	1600	x 600	x 300	Cupboard with shelves
AE120	1600	x 600	x 600	Cupboard with pull out front
AE121	1600	x 600	x 600	Cupboard with shelves

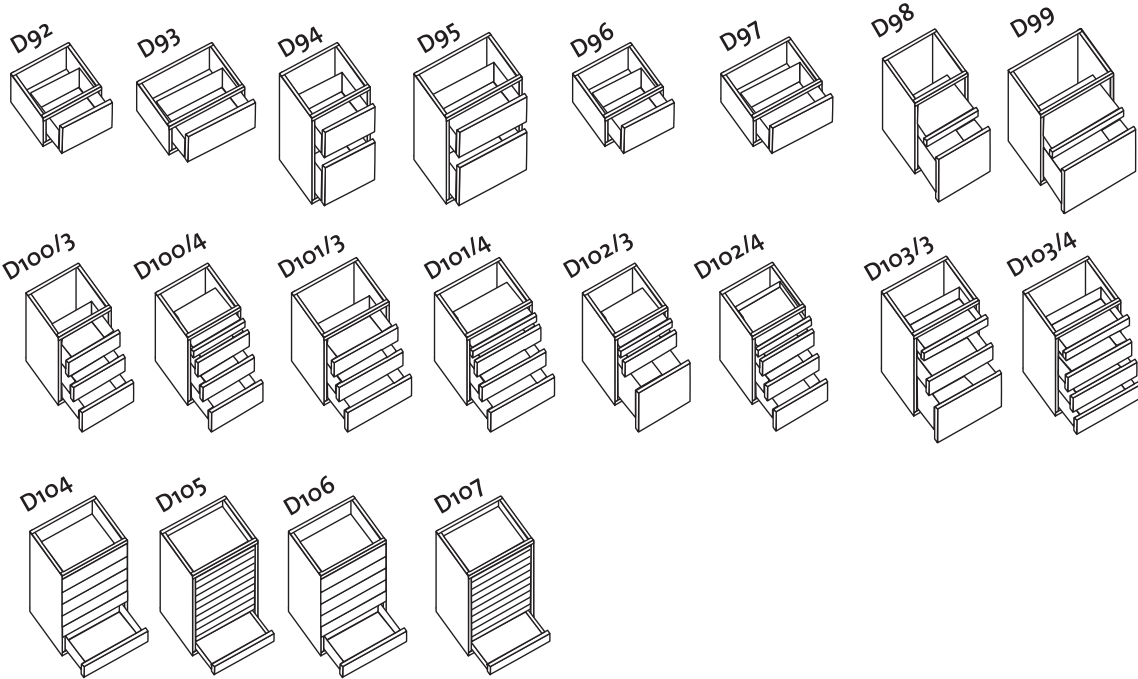
## LOWER STORAGE COMPONENTS



	H	W	D	
D71	*	x 500	x 450	Bridging shelves
D72	*	x 600	x 450	Bridging shelves
D73	550	x 500	x 450	Open shelf carcass
D74	550	x 600	x 450	Open shelf carcass
D75	550	x 500	x 450	Single door cupboard, hinge left
D76	550	x 500	x 450	Single door cupboard, hinge right
D77	550	x 500	x 300	Single door cupboard, hinge left
D78	550	x 500	x 300	Single door cupboard, hinge right
D79	550	x 600	x 450	Single door cupboard, double door available on request
D80	550	x 1000	x 450	Double door cupboard
D81	550	x 600	x 300	Single door cupboard, double door available on request
D82	550	x 1000	x 300	Double cupboard
D83	550	x 900	x 900	Corner carousel
D84	550	x 500	x 450	Hopper unit
D85	550	x 600	x 450	Hopper unit
D86	550	x 500	x 450	Twin pull out unit
D87	550	x 600	x 450	Twin pull out unit
D88	550	x 500	x 450	Single pull out unit
D89	550	x 600	x 450	Single pull out unit
D90	550	x 500	x 450	Pull out front with tote boxes
D91	550	x 600	x 450	Pull out front with tote boxes
D92	150	x 500	x 450	Single drawer unit
D93	150	x 600	x 450	Single drawer unit
D94	550	x 500	x 450	Two drawer unit
D95	550	x 600	x 450	Two drawer unit
D96	150	x 500	x 450	Two drawer unit
D97	150	x 600	x 450	Two drawer unit
D98	350	x 500	x 450	Two drawer unit
D99	350	x 600	x 450	Two drawer unit
D100/3	350	x 500	x 450	Three drawer unit
D101/3	350	x 600	x 450	Three drawer unit
D102/3	550	x 500	x 450	Three drawer unit
D103/3	550	x 600	x 450	Three drawer unit



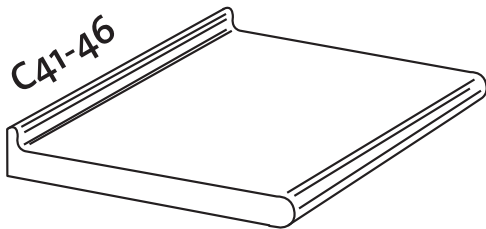
**LOWER STORAGE COMPONENTS**



	H	W	D		H	W	D						
D100/4	350	x	500	x	450	Four drawer unit	D104	550	x	500	x	450	Six drawer unit
D101/4	350	x	600	x	450	Four drawer unit	D105	550	x	500	x	450	Multi drawer unit
D102/4	550	x	500	x	450	Four drawer unit	D106	550	x	600	x	450	Six drawer unit
D103/4	550	x	600	x	450	Four drawer unit	D107	550	x	600	x	450	Multi drawer unit

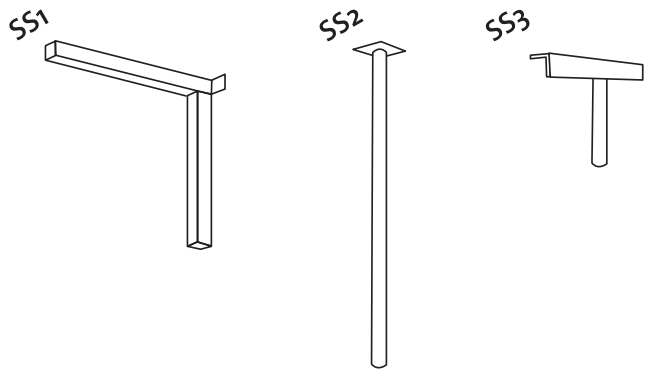


**WORKTOPS**



	H	W	D	
C41	120	X	* X	300 Linoleum worktop
C42	120	X	* X	550 Linoleum worktop
C43	120	X	* X	650 Linoleum worktop
C44	120	X	* X	350 Postformed laminate worktop
C45	120	X	* X	550 Postformed laminate worktop
C46	120	X	* X	650 Postformed laminate worktop

**SUPPORT SYSTEMS**



SS1	Cantilever brackets 920 or 720mm high
SS2	Leg support 920 or 720mm high
SS3	Unit support leg 300mm high



---

DAVID  BAILEY  
FURNITURE SYSTEMS LIMITED

---

For further information, help or advice on our healthcare furniture range, please contact:

**David Bailey Furniture Systems Ltd**  
12 Lysander Close  
Pysons Road Industrial Estate  
Broadstairs  
Kent  
CT10 2YL

Tel: 01843 604896  
Fax: 01843 862388  
[sales@davidbaileyfurniture.co.uk](mailto:sales@davidbaileyfurniture.co.uk)  
[www.davidbaileyfurniture.co.uk](http://www.davidbaileyfurniture.co.uk)